

Courtesy Lamp Features :

- 100 Lumen Output
- High quality Seoul Led Array
- Bonded or screw on bezel
- Tough PMMA clear or frosted Lens
- Secure mounting by 2 x m3 screws
- Marine grade Aluminium CNC build
- Anodised finish - colour options
- Available in White and Red LED
- Three basic designs - or customise

Courtesy Range

Each Waltham Lamp embodies the solid fusion of ultra modern LED technology and CNC finished engineering. Stylish yet functional. The entire body of the Courtesy lamp is designed to act as a heatsink.

LED- The latest high performance Seoul LED disc gives an output of 100 lumens.

Options include cool or warm white output or red light for marine applications such as nav -stations and walkways.

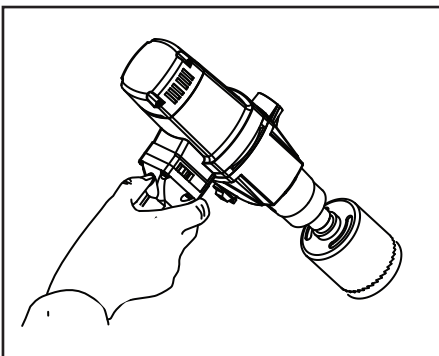
The LED can be powered with a driver output of 3.5-3.8v DC. Drivers can be supplied.

LED technology is green – ultimately reducing energy consumption by up to 70 percent.

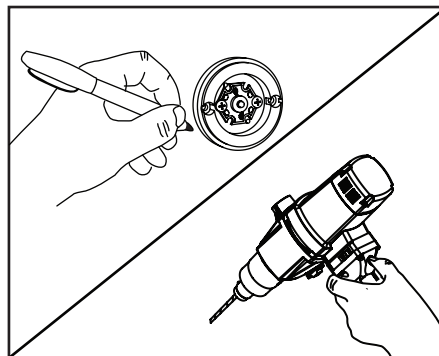
Custom bezel options can be requested - virtually any form can be produced, giving a bespoke interior that final touch. For all customisation options please visit:

www.walthamled.com

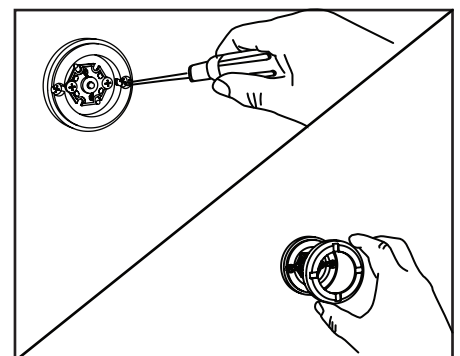
Fitting



1. Hole cut between 27 - 30 mm

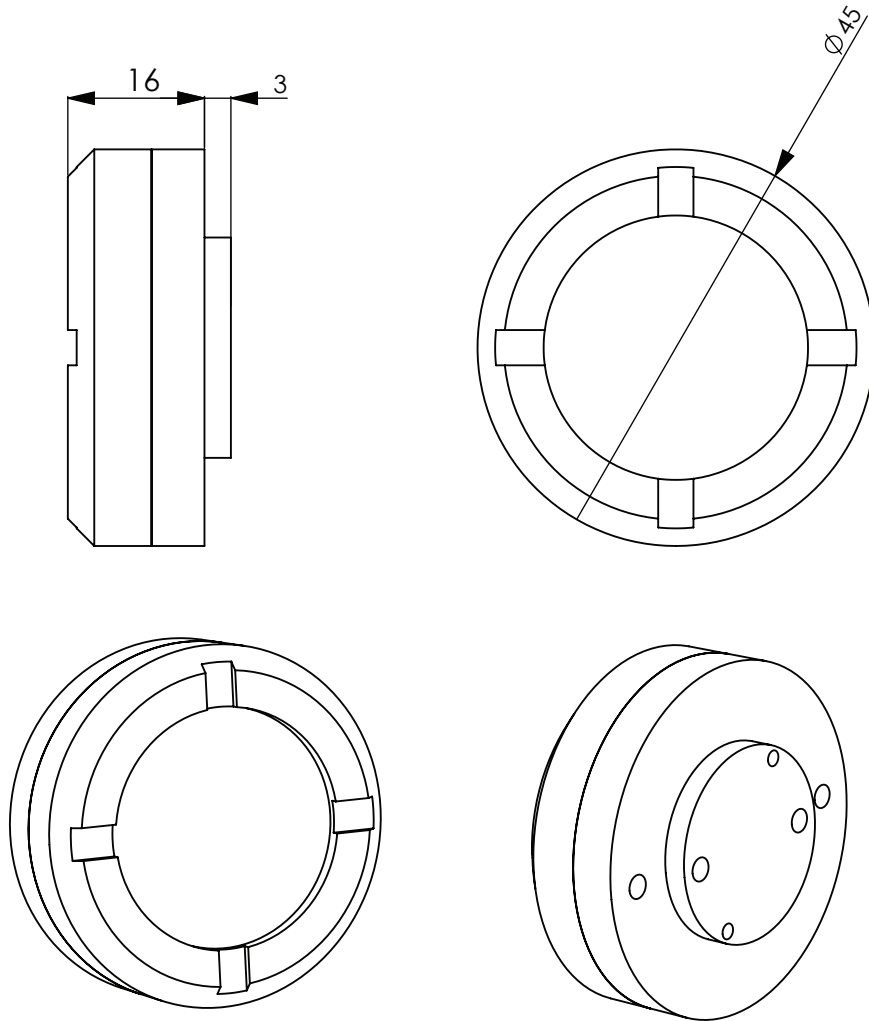


2. Place heatsink, mark and drill pilot holes

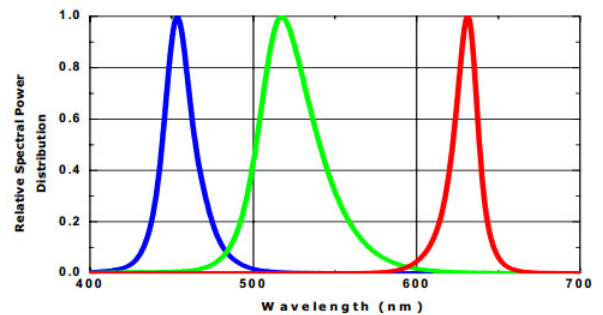
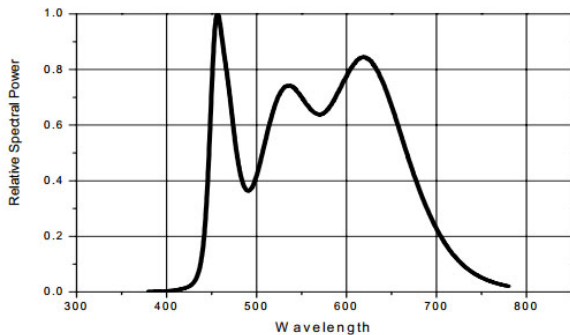


3. Affix using M3 crosshead fastenings. Screw on or bond bezel

Overall Dimensions



Colour Charts*



*information courtesy of Seoul Semiconductor

Power Specifications:

Current (mA) : 350 mA
 Forward Voltage V_f : 3.5V



Driver Options:

Waltham specifies Power Pax UK LED drivers, Standard fixed current, IP 67, and mains dimmable models available. Drivers can be added to lighting package on request.