

Square Sterling Lamp Features :

- 6 Watt LED downlighter
- High quality Bridgelux Led Array
- IP66 Rated cable gland
- Closed cell foam bezel gasket
- Tough PMMA clear or frosted Lens
- Secure mounting by 3 x m4 screws
- Marine grade Aluminium CNC build
- Anodised finish
- Available in Neutral & Warm White LED
- Reduced length

Sterling™ Square

The LED down lamp designed specifically for the Yachting and wider marine industry. Beautifully CNC crafted aluminium lines look at home in both contemporary and traditional settings.

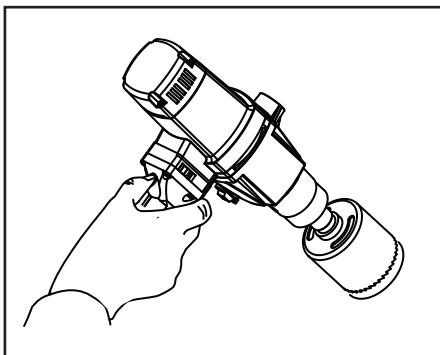
Only the finest grade of materials are used for a lamp which is tough yet light and elegant. Screw on front bezel disguises fixings and a closed cell foam and cable gland keep the interior of the lamp both moisture and dust free.

All products in the Sterling™ range can be customised according to the customers taste. Anodised , polished and painted Colour and finish options are available.

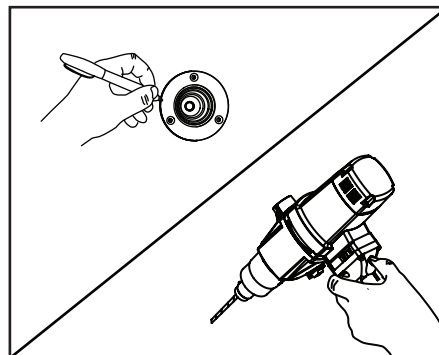
Custom bezel options can be requested - virtually any form can be produced, giving a bespoke interior that final touch. For all customisation options please visit:

www.walthamled.com

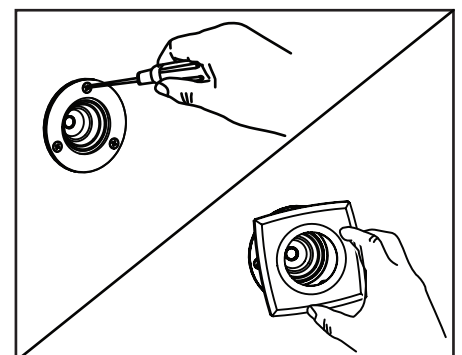
Fitting



1. Hole cut between 54 - 60 mm

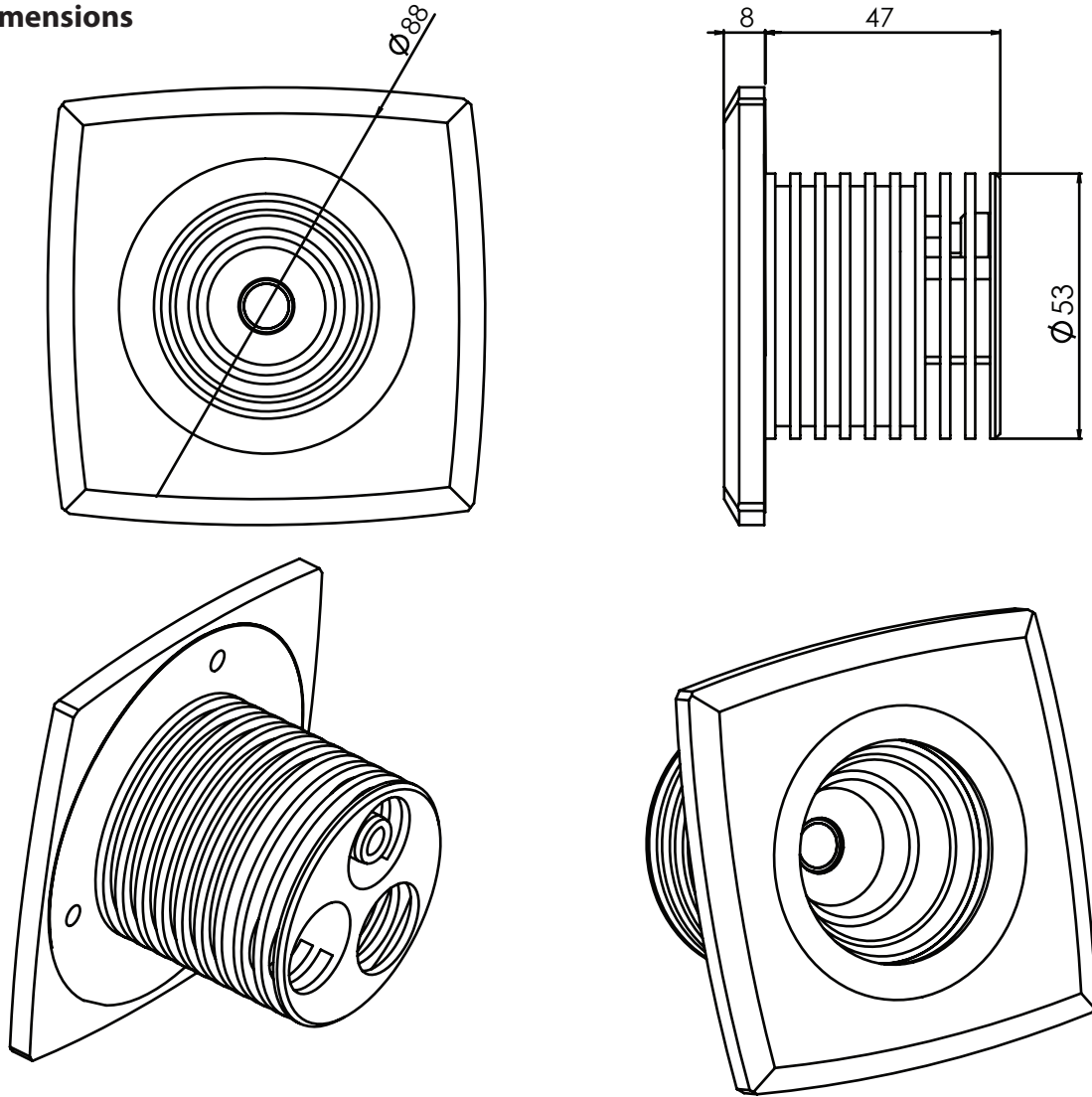


2. Place heatsink, mark and drill pilot holes

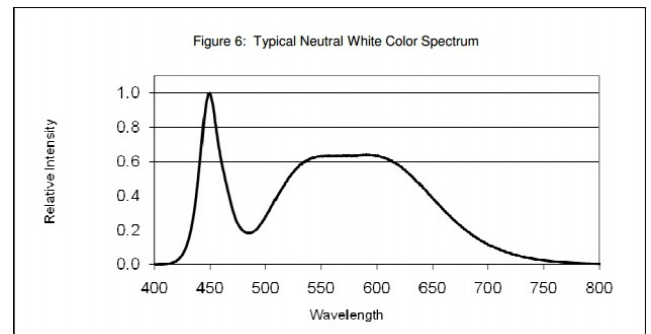
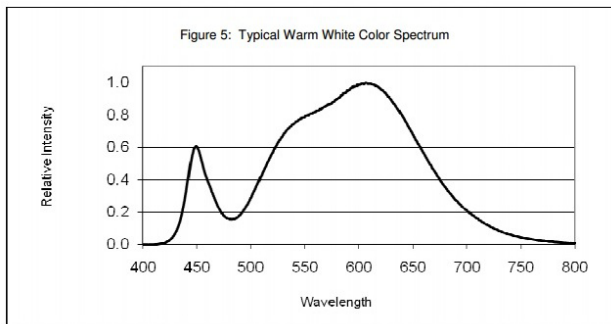


3. Affix using M4 countersunk fastenings. Screw on bezel with gasket firmly

Overall Dimensions



Colour Charts*



*information courtesy of bridgelux

Power Specifications:

Current (mA) : 700 mA
 Forward Voltage Vf : 9.5 V



Driver Options:

Waltham specifies Power Pax UK LED drivers, Standard fixed current, IP 67, and mains dimmable models available. Drivers can be added to lighting package on request.